

# DELTASPOT

/ Resistance Spot Welding Technology



/ The relatively simple yet so radically new principle behind this process is the indexing process tape. The process tape runs between the electrode and the work piece. After every spot, the process tape indexes one step forward. This means that the contact surface always stays clean. It is like welding every spot with a brand new electrode. This is what makes the quality 100 % predictable. The surface of the electrode itself stays clean no matter what material has to be welded. Aluminum, zinc coated steel, boron steel, etc. - you name it. Depending on the application, you can expect to get with one setup of tapes and electrodes from 5,000 to 20,000 welds without any tip dressing or other interruptions.

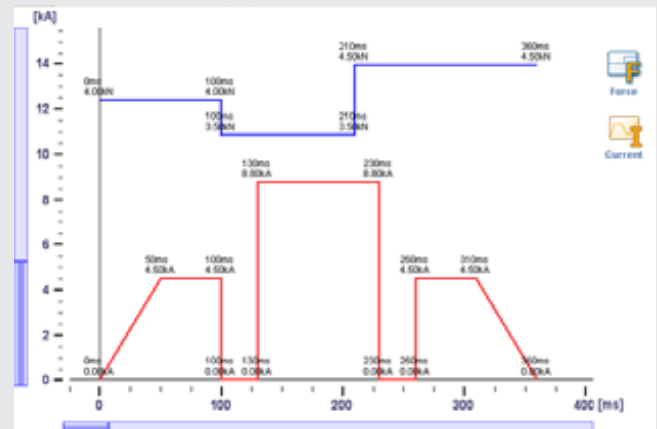
- / 100% reproducible welds
- / Expulsion free spot welding
- / No tip dressing necessary

## THE PROCESS TAPE



/ All the contamination from aluminum oxide or zinc is not on the electrodes but on the process tape. That keeps the contact area always clean without the need of tip dressing.

## SET UP OF PARAMETERS

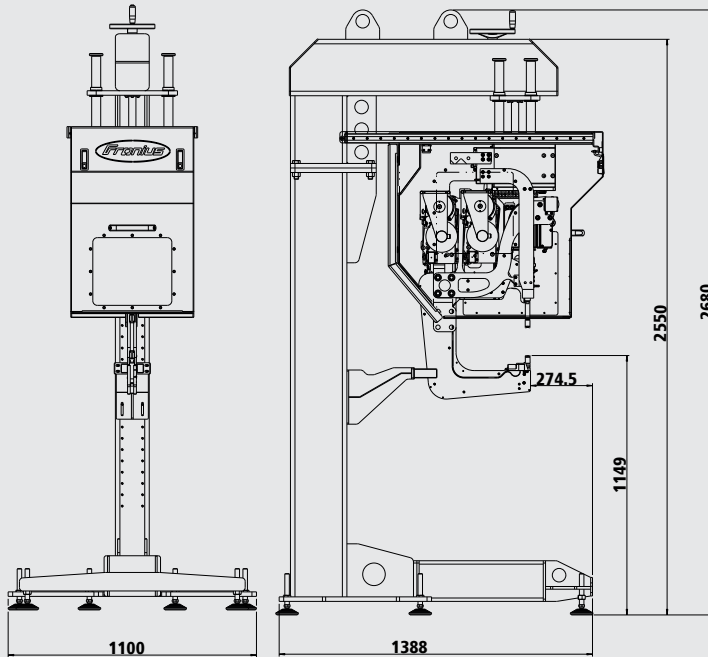


/ Easy to use user interface for parameter development via Fronius Xplorer. Simply draw the desired welding profile of your weld schedule (current, force and time).

/ DeltaSpot works with all metallic materials. 3-sheet joints between different materials, thick or thin, can be welded with just the same high process-reliability as aluminum to aluminum. In multi-sheet joints, the different materials and sheet thicknesses encountered cause different material resistances to occur. The choice of process tape can be “fine tuned” to take account of these dissimilarities.

For weld tests please contact Fronius USA at [application.usa@fronius.com](mailto:application.usa@fronius.com)

## DIMENSIONS



## SPECIFICATIONS

KVA Sizes: 130, 250  
 Controller: 1x 115V 60Hz  
 Power Supply: 3x 400V – 480V  
 Throat dept: 300mm / 11.5”  
 Foot switch: Electrical operated

## FEATURES

- / Gun can be disassembled from frame then converted for use on a robot
- / Adjustable gun height
- / 100% servo driven system
- / Intuitive user interface
- / Complete water-cooled system
- / No need for compressed air

/ Battery Charging Systems / Welding Technology / Solar Electronics

### **WE HAVE THREE DIVISIONS AND ONE PASSION: SHIFTING THE LIMITS.**

/ Whether Battery Charging Systems, Welding Technology or Solar Electronics - our goal is clearly defined: to be the technology and quality leader. With more than 3,000 employees worldwide, we shift the limits of what's possible - our 737 active patents are testimony to this. While others progress step by step, we innovate in leaps and bounds. Further information about all Fronius products and our global sales partners and representatives can be found at [www.fronius.com](http://www.fronius.com).



v02 2011 EN

Text and illustrations were accurate at the time of going to press. We reserve the right to make changes. This document must not be copied or reproduced in any form, either as extracts or in its entirety, without written consent from Fronius International GmbH.



**AURORA | (630) 859-3100**  
**MACHESNEY PARK | (815) 904-6950**  
**UNIVERSITY PARK | (708) 534-8561**

**OLD VALUES...NEW IDEAS**

**weldstar.com**



**LOGANSPOUT | (574) 722-1177**  
**SOUTH BEND | (574) 344-4077**

02012019